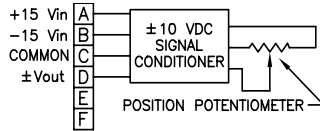


# P1010 Series Installation Guide

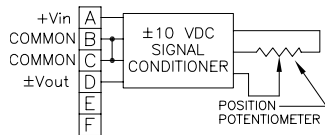
## Wiring and Circuit Diagram

### Model P1010



Excitation Voltage.....+15 & -15 VDC (±5%)  
 Output Impedance .....1.0 Ω max.  
 Output Load .....5K Ω min.

### Model P1010-xx-SI

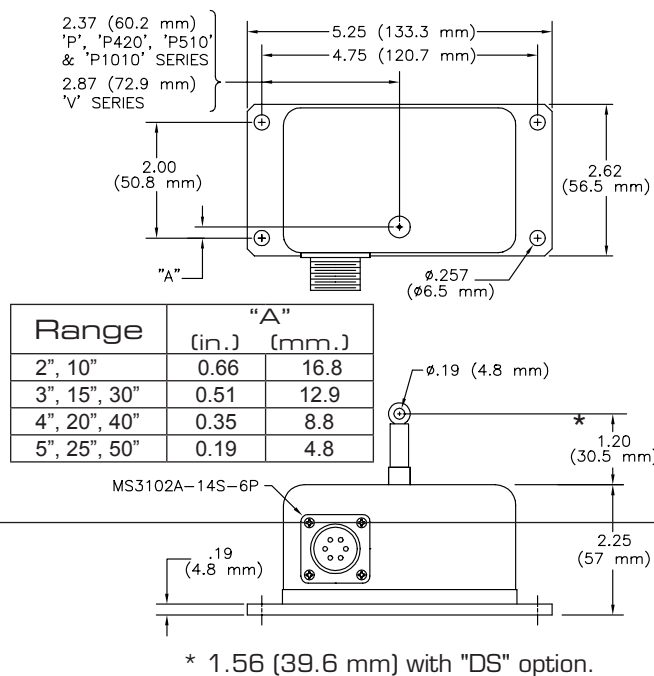


Option Designator	+Vin Input Voltage
SI	4.9 to 30 VDC
SI5	5 ±0.5 VDC
SI12	12 ±0.5 VDC
SI15	15 ±0.5 VDC
SI24	24 ±1.0 VDC

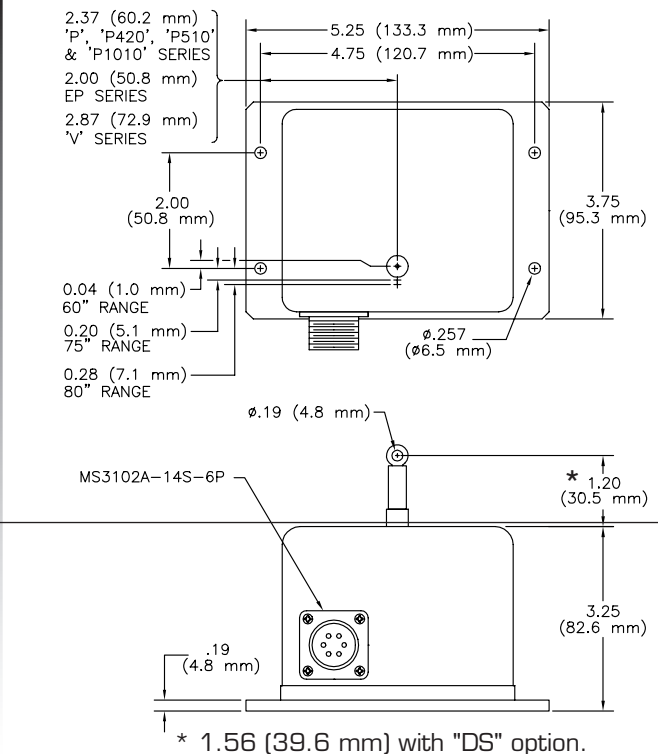
With small blade type screwdriver (.105" max. blade width X .023" max. blade thickness), adjust the Zero and Span controls on the transducer to set the zero and maximum output voltages. Note: The Zero and Span controls are somewhat interactive and may require several iterations to obtain the desired zero and maximum voltage settings. Extend the transducer cable (on angular position transducers, rotate shaft) to the desired zero position (must be within 10% to 90% of the total range). Adjust the Zero control to give a zero voltage output. Then extend the cable (on angular position transducers, rotate shaft) to the desired maximum position in the direction of longest possible travel (either positive or negative) from the zero position. To obtain maximum output voltage magnitude this position must lie within 50% to 100% of the longest possible travel. Adjust the Span control to the output voltage magnitude required (+ or - 10 VDC maximum). Recheck the zero and span settings and readjust if necessary.

## Dimensional Information

### Ranges to 50" (1250 mm)



### Ranges to 80" (2000 mm)



# Standard Series Installation Guide

## OPTION "CES" SIDE CABLE EXIT

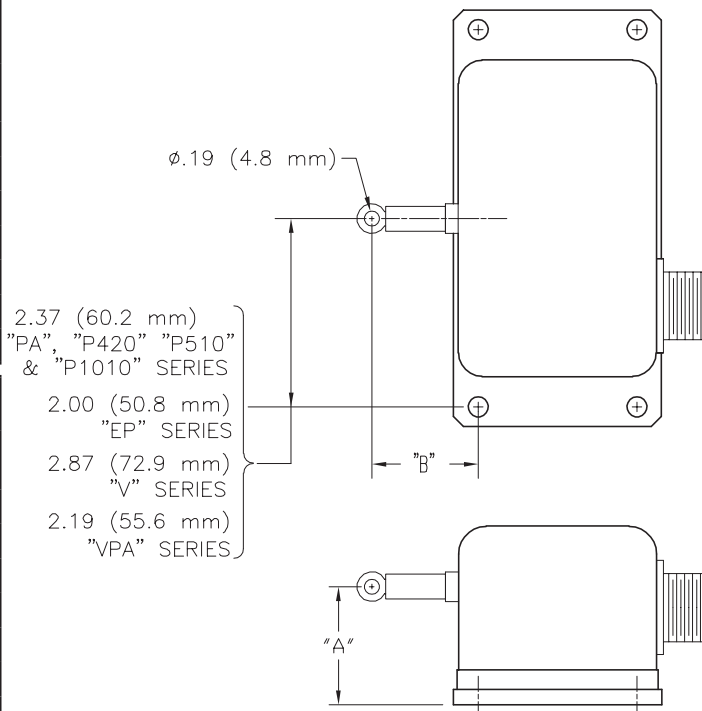
### PA, PB, P420, P510, P1010, EP, V, VP SERIES

RANGE	PA, PB, P420, P510, P1010 EP, V SERIES	
	DIMENSION "A"	DIMENSION "B"*
2", 10"	1.52" (38.6 mm)	1.28" (32.5 mm)
3", 15", 30"	1.68" (42.7 mm)**	1.28" (32.5 mm)
4", 20", 40"	1.84" (46.7 mm)**	1.28" (32.5 mm)
5", 25", 50"	1.97" (50.8mm)**	1.28" (32.5 mm)
60"	2.53" (64.3 mm)	1.78" (45.2 mm)
75"	2.76" (70.2 mm)	1.78" (45.2 mm)
80"	2.84" (72.2 mm)	1.78" (45.2 mm)

RANGE	VP SERIES	
	DIMENSION "A"	DIMENSION "B"*
2", 10"	1.58" (40.1 mm)	1.68" (42.7 mm)
3", 15", 30"	1.74" (44.2 mm)**	1.68" (42.7 mm)
4", 20", 40"	1.90" (48.3 mm)**	1.68" (42.7 mm)
5", 25", 50"	2.03" (52.3 mm)**	1.68" (42.7 mm)
60"	2.59" (65.8 mm)	1.68" (42.7 mm)
75"	2.82" (71.6 mm)	1.68" (42.7 mm)
80"	2.90" (73.7 mm)	1.68" (42.7 mm)

\* With "DS" (dust shield) option, add 0.36" (9.1 mm) to "B" dimensions above.

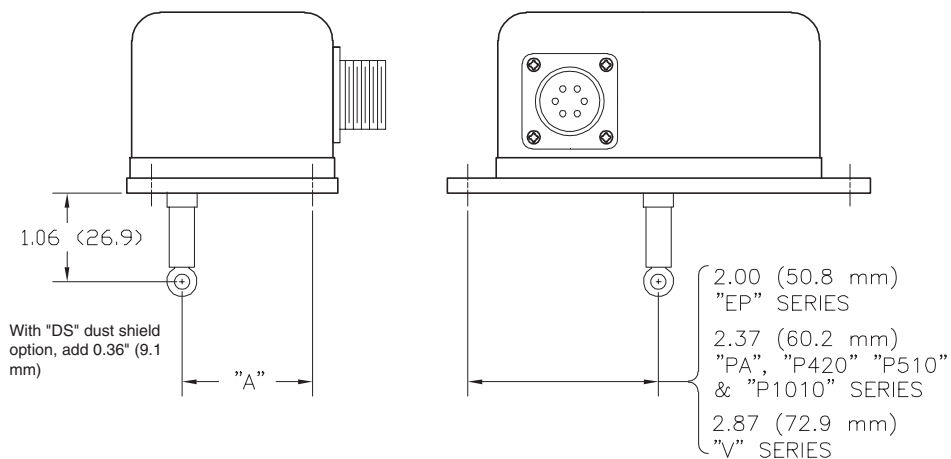
\*\* With "HG" (high wire rope tension) option, add 0.375" to dimension shown for 30", 40" and 50" measurement ranges only.



## OPTION "CEB" BOTTOM CABLE EXIT

### PA, PB, P420, P510, P1010, EP, V SERIES

RANGE	DIMENSION "A"
2", 10"	1.34 (34.0 mm)
3", 15", 30"	1.49 (37.8 mm)
4", 20", 40"	1.65 (41.9 mm)
5", 25", 50"	1.81 (46.0 mm)
60"	1.96 (49.8 mm)
75"	2.20 (55.9 mm)
80"	2.28 (57.9 mm)



**UniMeasure**

4175 SW Research Way, Corvallis, Oregon, 97333

•Tel: (541) 757-3158 •Fax (541) 757-0858