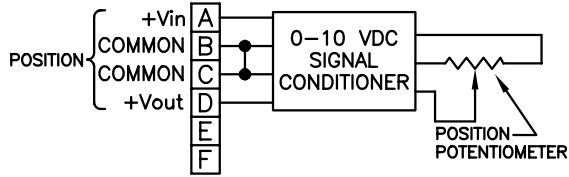


P510 Series Installation Guide

Wiring and Circuit Diagram

Model P510



Excitation Voltage	11 to 35 VDC
Excitation Current	40 mA max.
Output Impedance	10 Ω max.
Output Load	5K Ω min.

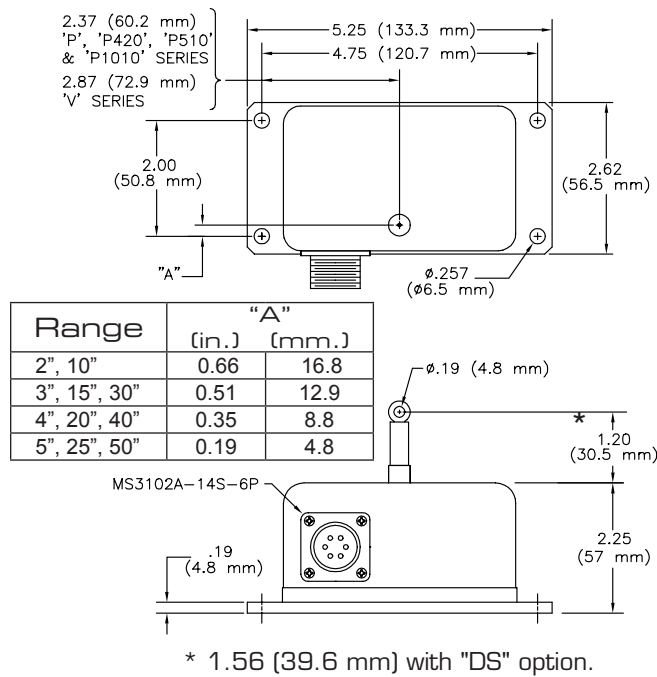
As shown in the diagram above, both commons on pins "B" and "C" are connected together internally at the transducer, so that either a 3-wire or 4-wire connection to the transducer may be made.

With small blade type screwdriver (.105" max. blade width X .023" max. blade thickness), adjust the *Zero* and *Span* controls on the transducer to set zero output voltage and maximum output voltage. **Note:** The *Zero* and *Span* controls are somewhat interactive and may require several iterations to obtain the desired zero and maximum settings.

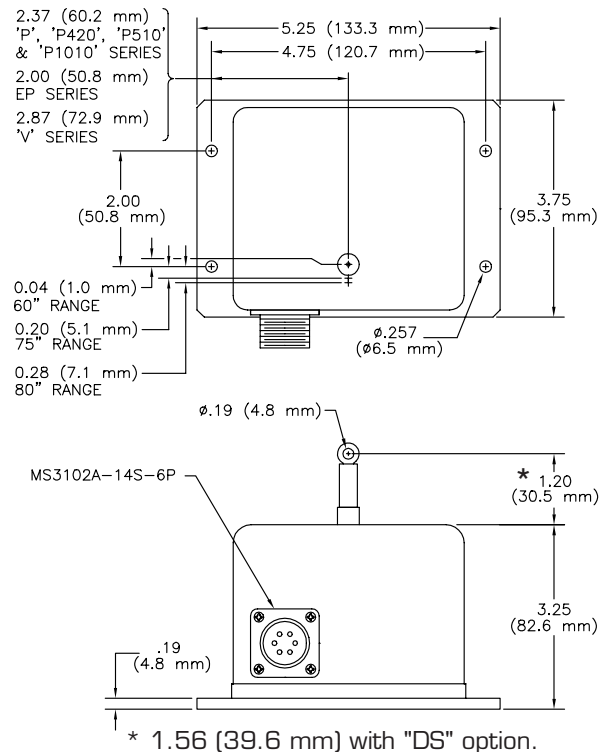
Extend the cable (on angular position transducers, rotate shaft) of the transducer to the desired zero position (must be within 0% to 30% of range.) Adjust the *Zero* control so that the output voltage is zero. Then extend the cable (on angular position transducers, rotate shaft) to the desired maximum position (must be within 80% to 100% of range.) Adjust the *Span* control for maximum output voltage required (unit will adjust from 5 VDC to 10 VDC). Recheck the zero setting and adjust if necessary. Recheck the Span setting and readjust if necessary.

Dimensional Information

Ranges to 50" (1250 mm)



Ranges to 80" (2000 mm)



Standard Series Installation Guide

OPTION "CES" SIDE CABLE EXIT

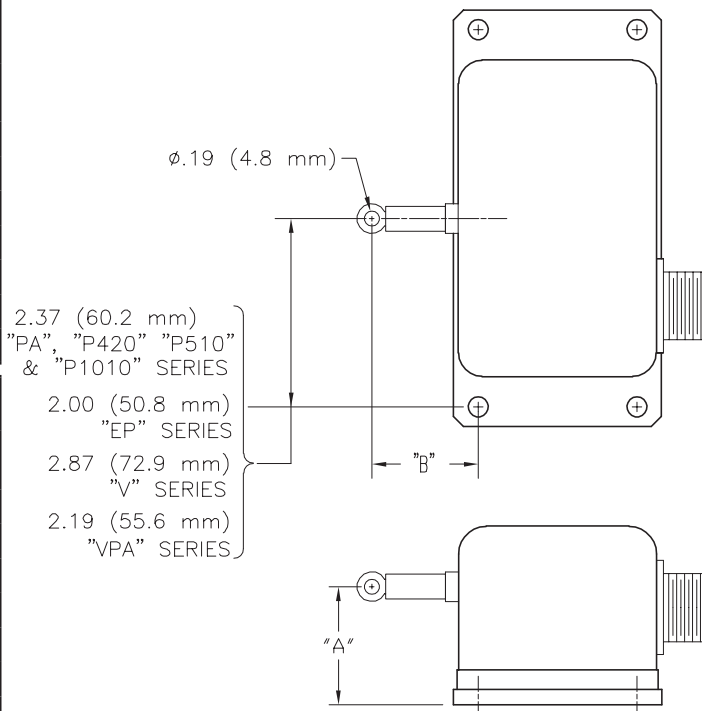
PA, PB, P420, P510, P1010, EP, V, VP SERIES

RANGE	PA, PB, P420, P510, P1010 EP, V SERIES	
	DIMENSION "A"	DIMENSION "B"*
2", 10"	1.52" (38.6 mm)	1.28" (32.5 mm)
3", 15", 30"	1.68" (42.7 mm)**	1.28" (32.5 mm)
4", 20", 40"	1.84" (46.7 mm)**	1.28" (32.5 mm)
5", 25", 50"	1.97" (50.8mm)**	1.28" (32.5 mm)
60"	2.53" (64.3 mm)	1.78" (45.2 mm)
75"	2.76" (70.2 mm)	1.78" (45.2 mm)
80"	2.84" (72.2 mm)	1.78" (45.2 mm)

RANGE	VP SERIES	
	DIMENSION "A"	DIMENSION "B"*
2", 10"	1.58" (40.1 mm)	1.68" (42.7 mm)
3", 15", 30"	1.74" (44.2 mm)**	1.68" (42.7 mm)
4", 20", 40"	1.90" (48.3 mm)**	1.68" (42.7 mm)
5", 25", 50"	2.03" (52.3 mm)**	1.68" (42.7 mm)
60"	2.59" (65.8 mm)	1.68" (42.7 mm)
75"	2.82" (71.6 mm)	1.68" (42.7 mm)
80"	2.90" (73.7 mm)	1.68" (42.7 mm)

* With "DS" (dust shield) option, add 0.36" (9.1 mm) to "B" dimensions above.

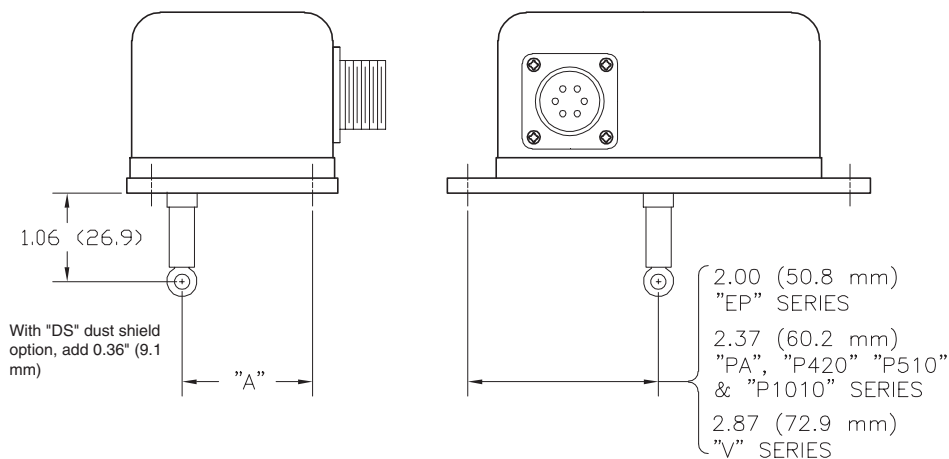
** With "HG" (high wire rope tension) option, add 0.375" to dimension shown for 30", 40" and 50" measurement ranges only.



OPTION "CEB" BOTTOM CABLE EXIT

PA, PB, P420, P510, P1010, EP, V SERIES

RANGE	DIMENSION "A"
2", 10"	1.34 (34.0 mm)
3", 15", 30"	1.49 (37.8 mm)
4", 20", 40"	1.65 (41.9 mm)
5", 25", 50"	1.81 (46.0 mm)
60"	1.96 (49.8 mm)
75"	2.20 (55.9 mm)
80"	2.28 (57.9 mm)



UniMeasure

4175 SW Research Way, Corvallis, Oregon, 97333

•Tel: (541) 757-3158 •Fax (541) 757-0858