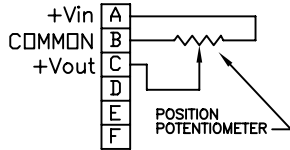


# PA Series Installation Guide

## Wiring and Circuit Diagram

### Model PA

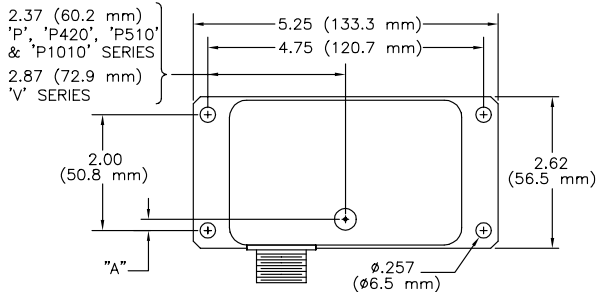


Excitation Voltage: 25 VDC or VAC Max.  
 Potentiometer Resistance: 1000 ohms  $\pm$ 10%

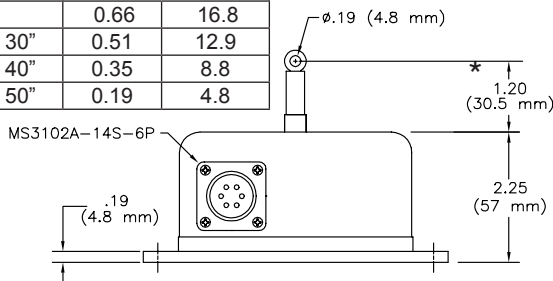
Note: Any input voltage up to the maximum specified above may be used. However, for best performance, the input voltage should be closely regulated to insure a stable and accurate output voltage.

## Dimensional Information

### Ranges to 50" (1250 mm)

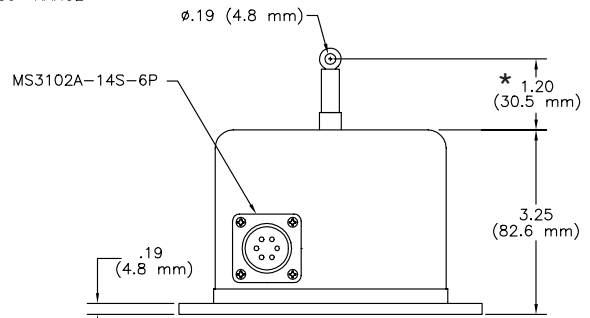
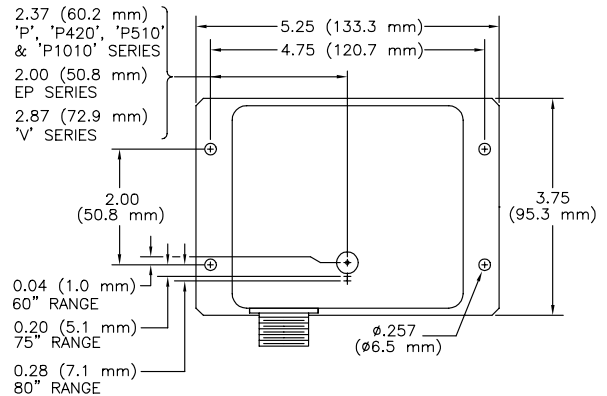


Range	"A"	
	(in.)	(mm.)
2", 10"	0.66	16.8
3", 15", 30"	0.51	12.9
4", 20", 40"	0.35	8.8
5", 25", 50"	0.19	4.8



\* 1.56 (39.6 mm) with "DS" option.

### Ranges to 80" (2000 mm)



\* 1.56 (39.6 mm) with "DS" option.

# Standard Series Installation Guide

## OPTION "CES" SIDE CABLE EXIT

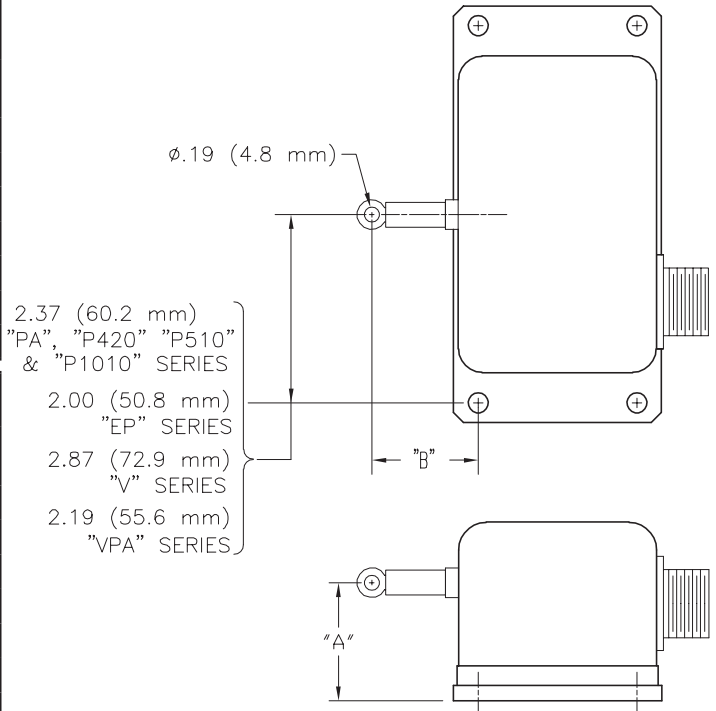
### PA, PB, P420, P510, P1010, EP, V, VP SERIES

RANGE	PA, PB, P420, P510, P1010 EP, V SERIES	
	DIMENSION "A"	DIMENSION "B"*
2", 10"	1.52" (38.6 mm)	1.28" (32.5 mm)
3", 15", 30"	1.68" (42.7 mm)**	1.28" (32.5 mm)
4", 20", 40"	1.84" (46.7 mm)**	1.28" (32.5 mm)
5", 25", 50"	1.97" (50.8mm)**	1.28" (32.5 mm)
60"	2.53" (64.3 mm)	1.78" (45.2 mm)
75"	2.76" (70.2 mm)	1.78" (45.2 mm)
80"	2.84" (72.2 mm)	1.78" (45.2 mm)

RANGE	VP SERIES	
	DIMENSION "A"	DIMENSION "B"*
2", 10"	1.58" (40.1 mm)	1.68" (42.7 mm)
3", 15", 30"	1.74" (44.2 mm)**	1.68" (42.7 mm)
4", 20", 40"	1.90" (48.3 mm)**	1.68" (42.7 mm)
5", 25", 50"	2.03" (52.3 mm)**	1.68" (42.7 mm)
60"	2.59" (65.8 mm)	1.68" (42.7 mm)
75"	2.82" (71.6 mm)	1.68" (42.7 mm)
80"	2.90" (73.7 mm)	1.68" (42.7 mm)

\* With "DS" (dust shield) option, add 0.36" (9.1 mm) to "B" dimensions above.

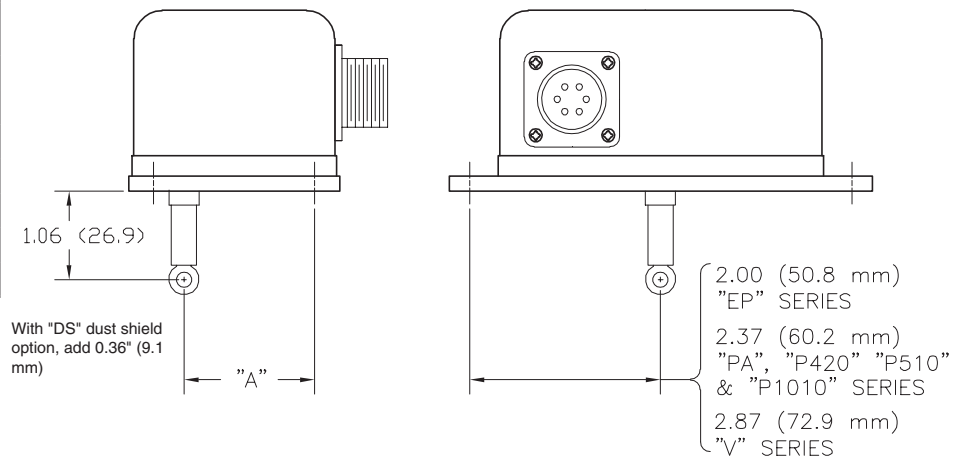
\*\* With "HG" (high wire rope tension) option, add 0.375" to dimension shown for 30", 40" and 50" measurement ranges only.



## OPTION "CEB" BOTTOM CABLE EXIT

### PA, PB, P420, P510, P1010, EP, V SERIES

RANGE	DIMENSION "A"
2", 10"	1.34 (34.0 mm)
3", 15", 30"	1.49 (37.8 mm)
4", 20", 40"	1.65 (41.9 mm)
5", 25", 50"	1.81 (46.0 mm)
60"	1.96 (49.8 mm)
75"	2.20 (55.9 mm)
80"	2.28 (57.9 mm)



With "DS" dust shield option, add 0.36" (9.1 mm)



**UniMeasure**

4175 SW Research Way, Corvallis, Oregon, 97333  
•Tel: (541) 757-3158 •Fax (541) 757-0858