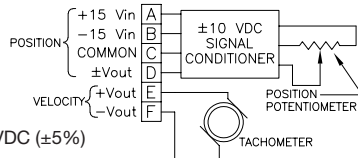


P1010 Series Installation Guide

Wiring and Circuit Diagram

Model VP1010



Position

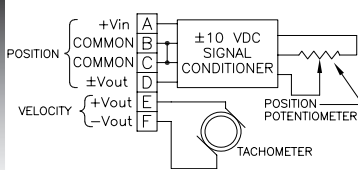
Excitation Voltage..... +15 & -15 VDC ($\pm 5\%$)
 Output Impedance 1.0 Ω max.
 Output Load 5K Ω min.

Velocity

The tachometer is self energizing and requires no input voltage.

With small blade type screwdriver (.105" max. blade width X .023" max. blade thickness), adjust the Zero and Span controls on the transducer to set the zero and maximum output voltages. Note: The Zero and Span controls are somewhat interactive and may require several iterations to obtain the desired zero and maximum voltage settings. Extend the transducer cable (on angular position transducers, rotate shaft) to the desired zero position (must be within 10% to 90% of the total range). Adjust the Zero control to give a zero voltage output. Then extend the cable (on angular position transducers, rotate shaft) to the desired maximum position in the direction of longest possible travel (either positive or negative) from the zero position. To obtain maximum output voltage magnitude this position must lie within 50% to 100% of the longest possible travel. Adjust the Span control to the output voltage magnitude required (+ or - 10 VDC maximum). Recheck the zero and span settings and readjust if necessary.

Model VP1010-xx-SI



Option Designator	+Vin Input Voltage
SI	4.9 to 30 VDC
SI5	5 ± 0.5 VDC
SI12	12 ± 0.5 VDC
SI15	15 ± 0.5 VDC
SI24	24 ± 1.0 VDC

Position

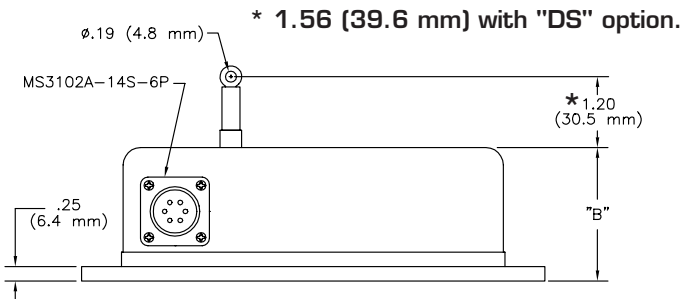
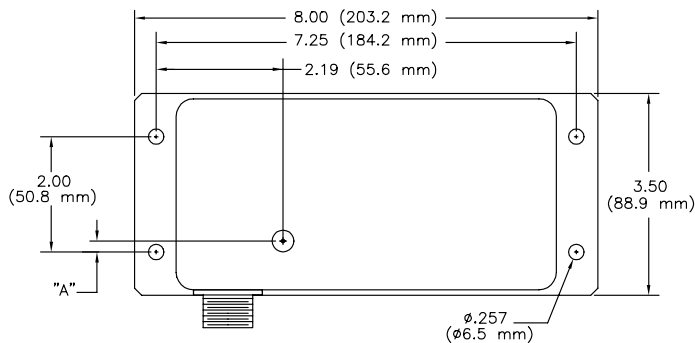
See Table 1 at right for position input voltage

Velocity

The tachometer is self energizing and requires no input voltage.

Dimensional Information

Ranges to 80" (2000 mm)



RANGE	DIMENSION "A"		DIMENSION "B"	
	in.	mm	in.	mm
2", 10"	0.66	16.8	2.25	57.0
3", 15", 30"	0.51	12.9	2.25	57.0
4", 20", 40"	0.35	8.8	2.25	57.0
5", 25", 50"	0.19	4.8	2.25	57.0
60"	0.04	1.0	3.25	82.6
75"	-0.20	-5.1	3.25	82.6
80"	-0.28	-7.1	3.25	82.6

Standard Series Installation Guide

OPTION "CES" SIDE CABLE EXIT

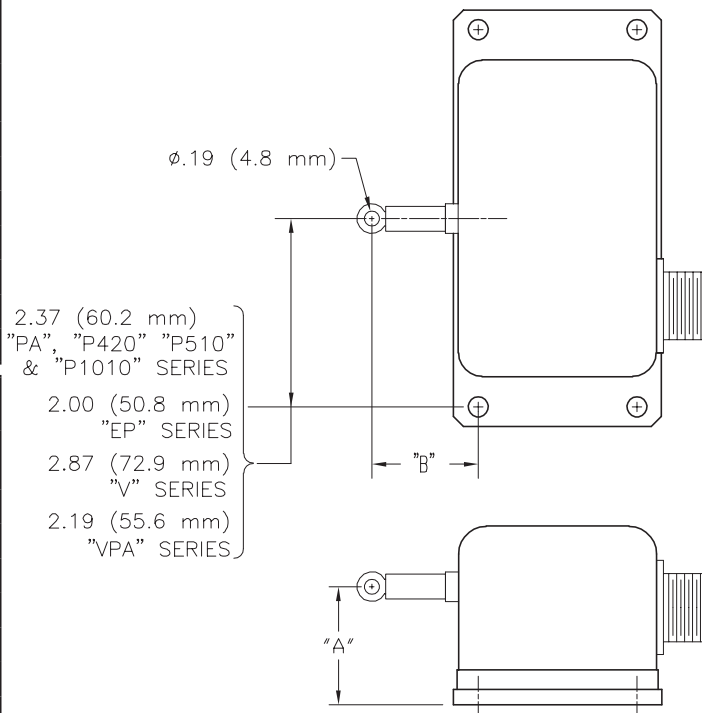
PA, PB, P420, P510, P1010, EP, V, VP SERIES

RANGE	PA, PB, P420, P510, P1010 EP, V SERIES	
	DIMENSION "A"	DIMENSION "B"*
2", 10"	1.52" (38.6 mm)	1.28" (32.5 mm)
3", 15", 30"	1.68" (42.7 mm)**	1.28" (32.5 mm)
4", 20", 40"	1.84" (46.7 mm)**	1.28" (32.5 mm)
5", 25", 50"	1.97" (50.8mm)**	1.28" (32.5 mm)
60"	2.53" (64.3 mm)	1.78" (45.2 mm)
75"	2.76" (70.2 mm)	1.78" (45.2 mm)
80"	2.84" (72.2 mm)	1.78" (45.2 mm)

RANGE	VP SERIES	
	DIMENSION "A"	DIMENSION "B"*
2", 10"	1.58" (40.1 mm)	1.68" (42.7 mm)
3", 15", 30"	1.74" (44.2 mm)**	1.68" (42.7 mm)
4", 20", 40"	1.90" (48.3 mm)**	1.68" (42.7 mm)
5", 25", 50"	2.03" (52.3 mm)**	1.68" (42.7 mm)
60"	2.59" (65.8 mm)	1.68" (42.7 mm)
75"	2.82" (71.6 mm)	1.68" (42.7 mm)
80"	2.90" (73.7 mm)	1.68" (42.7 mm)

* With "DS" (dust shield) option, add 0.36" (9.1 mm) to "B" dimensions above.

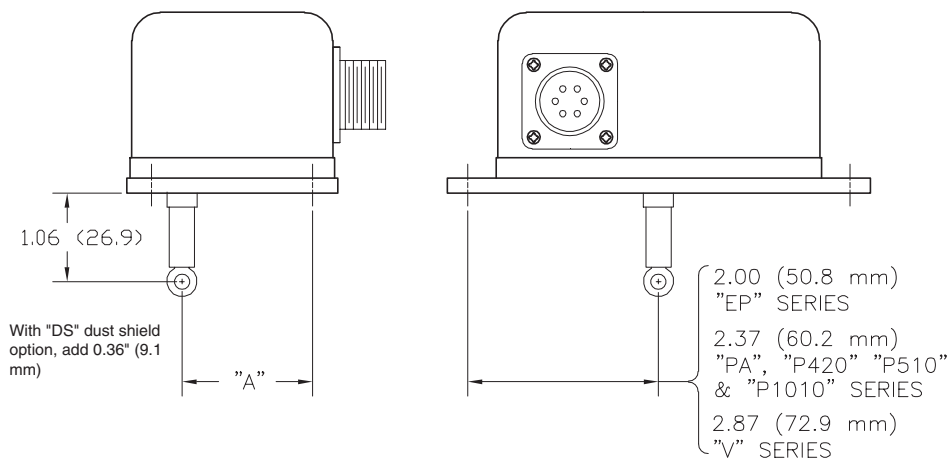
** With "HG" (high wire rope tension) option, add 0.375" to dimension shown for 30", 40" and 50" measurement ranges only.



OPTION "CEB" BOTTOM CABLE EXIT

PA, PB, P420, P510, P1010, EP, V SERIES

RANGE	DIMENSION "A"
2", 10"	1.34 (34.0 mm)
3", 15", 30"	1.49 (37.8 mm)
4", 20", 40"	1.65 (41.9 mm)
5", 25", 50"	1.81 (46.0 mm)
60"	1.96 (49.8 mm)
75"	2.20 (55.9 mm)
80"	2.28 (57.9 mm)



UniMeasure

4175 SW Research Way, Corvallis, Oregon, 97333

•Tel: (541) 757-3158 •Fax (541) 757-0858