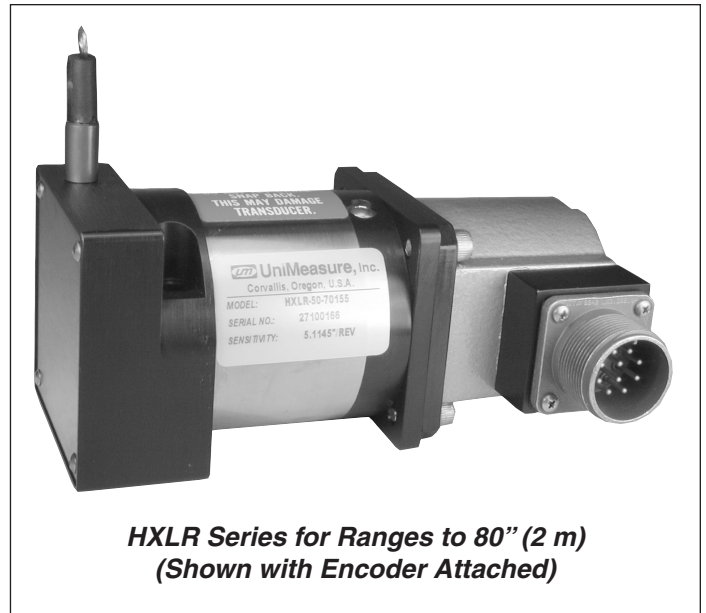


HXLR Series

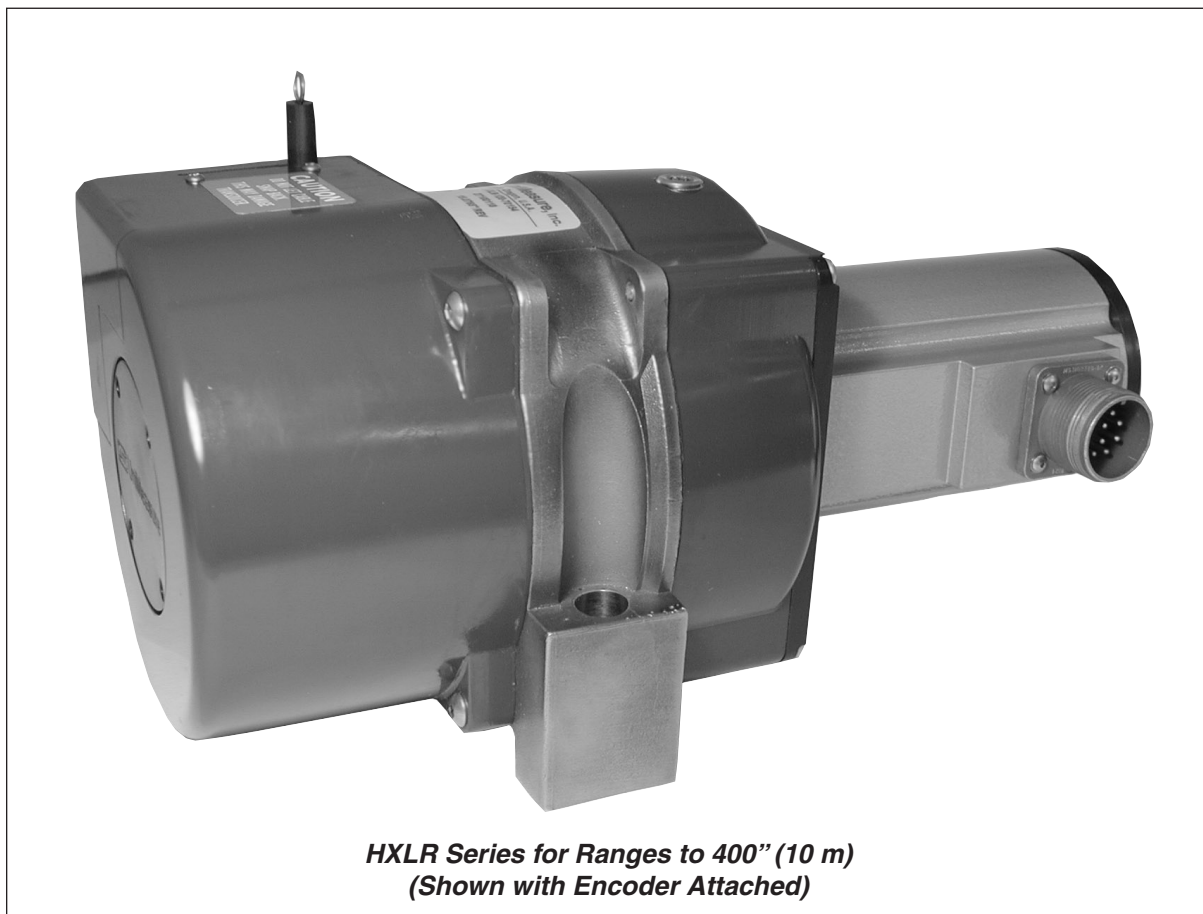
LINEAR TO ROTARY CONVERSION MODULE

Featuring:

- User Specified Encoder
- Adaptable to most encoders
- NEMA 4 (IP-65) Housing
- Rugged Construction
- Shaft Coupling, Adapter Included
- Integral Dust Wiper
- 400" (10 m) Max. Range
- 22 Measurement Ranges



*HXLR Series for Ranges to 80" (2 m)
(Shown with Encoder Attached)*



*HXLR Series for Ranges to 400" (10 m)
(Shown with Encoder Attached)*