

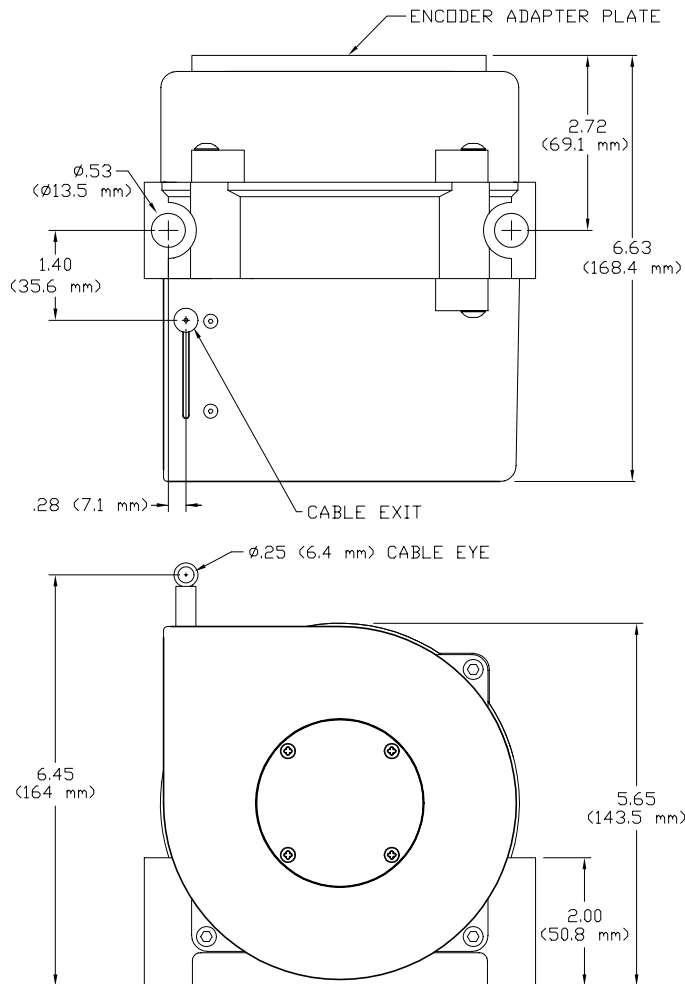
HXLR Encoder Mounting Instructions

Stegmann Encoder Model AG 626-XSR (Ranges 100" to 400", Adapter "D")

1. Place a 3 mm hex driver or T15 Torx driver into the Adapter Housing access hole for the coupling and seat into the coupling tightening screw. Back off the screw to remove any tension on the coupling.
2. Loosen four servo cleat mount screws with 3/32" (.093") hex driver so that the servo mounts may be rotated.
3. Remove o-ring from plastic bag and place into groove of encoder adapter plate on HXLR module.
4. Place Stegmann AG 626-XSR onto HXLR module so that shaft of encoder fits into coupling. Rotate servo cleats in place and tighten servo cleat screws to 8 lb-in.
5. Tighten screw in shaft coupling to 12 lb-in.
6. Loosen servo cleat screws to allow encoder to be rotated.
7. Rotate encoder to desired starting location and retighten servo cleat screws to 8 lb-in.
8. Remove socket hex 1/4 NPT pipe plug from plastic bag.
9. Thread the 1/4NPT pipe plug into the access hole of the Adapter Housing until it is more-or-less flush with the top of the housing.

Dimensional Information

HXLR Module—Ranges to 100" (2.5 m) to 400" (10.0 m)



UniMeasure

4175 SW Research Way, Corvallis, Oregon, 97333
•Tel: (541) 757-3158 •Fax (541) 757-0858