

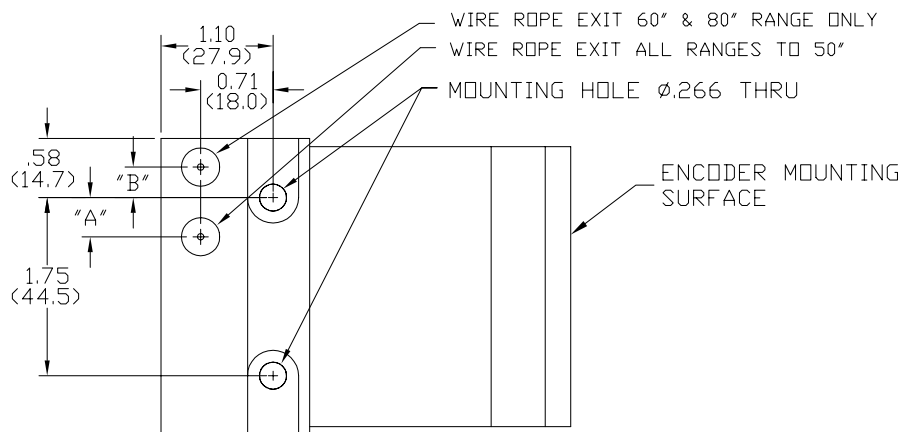
HXLR Encoder Mounting Instructions

BEI H25D Flange Mount Encoder (Ranges 2" to 80", Adapter "A")

1. Remove o-ring from plastic bag and place into groove of encoder adapter plate on HXLR module.
2. Remove 10-24 button head cap screw and nylon washer from HXLR module adapter housing so that the screw on the coupling may be accessed.
3. Insert a 7/64" hex driver into the coupling access hole and remove the 6-32 screw from the shaft coupling. Place thread sealant (Loctite 242 or equivalent) onto the screw threads and re-insert into the coupling but do not tighten.
4. Place the BEI encoder onto the module with shaft inserted into the coupling and secure with four sealant coated (Loctite 242 or equivalent) ¼-20 x .50" long screws. Tighten screws to approximately 20 to 30 lb-in.
5. Tighten the screw of the shaft coupling to 20 lb-in.
6. Place the 10-24 button head cap screw and nylon washer back into the coupling access hole and tighten to approximately 15 lb-in.

Dimensional Information

HXLR Module (Ranges to 80")



RANGE	"A"	"B"
2", 10"	.54 (13.7)	—
3", 15", 30"	.38 (9.6)	—
4", 20", 40"	.22 (5.6)	—
5", 25", 50"	.06 (1.5)	—
60"	—	.09 (2.3)
80"	—	.33 (8.4)

