

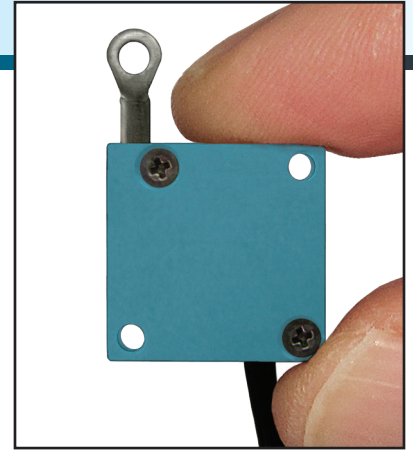


ZX-HM SERIES - Analog Position Transducer

HALL EFFECT VOLTAGE OUTPUT

UniMeasure ZX-HM Series employs a non-contact hall effect internal sensing element. With an overall measurement range of 1.5" (38mm), model ZX-HM-1.5 is ideal for applications where space is at a premium or where dithering motion or continuous oscillation may be encountered. With a wide operating temperature range, the non-contact internal hall effect sensing element allows for an extremely long service life without output signal degradation.

The mounting holes in the housing allow mounting with two #2 or two 2 mm screws. Alternatively the unit may be mounted with two 4-40 screws that thread directly into the housing. The wire rope of the unit may be ordered with an eye fitting termination or with a length of leader wire rope, a clip, and several crimp fittings to hold the clip in place.



SPECIFICATIONS

GENERAL

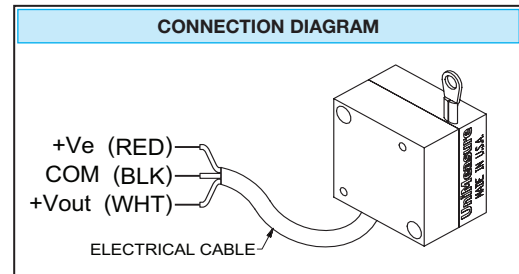
Measurement Range 1.5 inch (38 mm)
 Sensing Device..... Non Contact Hall Effect Device
 Resolution..... 0.0016 in (0.04 mm)
 Linearity ±1.0% Full Scale
 Repeatability..... ±0.0032 in (0.08 mm)
 Construction..... Anodized Aluminum Housing
 Wire Rope..... Ø0.018" (0.46 mm) Nylon Jacketed Stainless Steel
 Wire Rope Tension..... 4 oz (1.1 N)
 Weight..... 0.52 oz (15 gm)
 Electrical Connection..... 3 conductor cable, 18" (457mm) length
 Dynamic Response..... 25 Hz over full range extension
 Life..... 30,000,000 full stroke cycles

ENVIRONMENTAL

Operating Temperature..... -40° C to 100° C
 Storage Temperature..... -55° C to 100° C
 Vibration 15 G's 0.1 ms max.
 Shock 50 G's 0.1 ms max.
 Ingress Protection..... IP-40 (NEMA 1)

ELECTRICAL

Excitation Voltage 5.00 ± 0.25 VDC
 Excitation Current 21 mA Max.
 Output Voltage..... 89% ± 3% of Excitation Voltage
 Minimum Load Impedance 30K Ohms



MODEL NUMBER CONFIGURATION

ZX-HM-1.5-

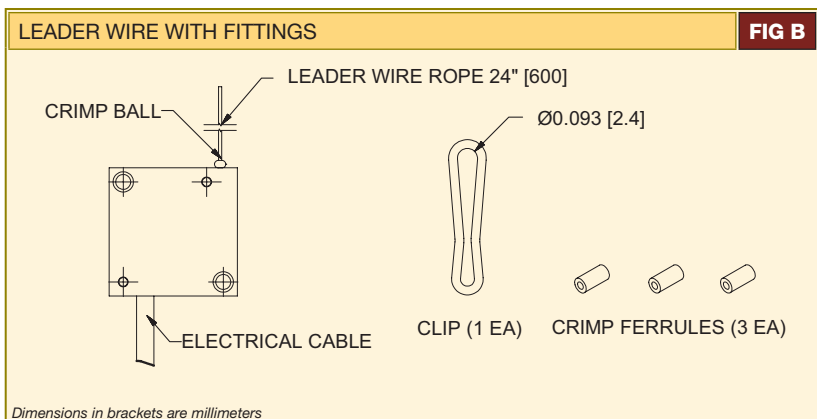
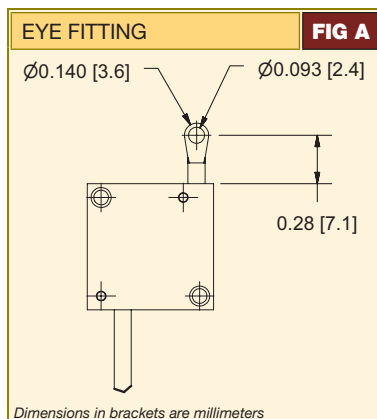


BASIC CONFIGURATION

ZX-HM-1.5-A

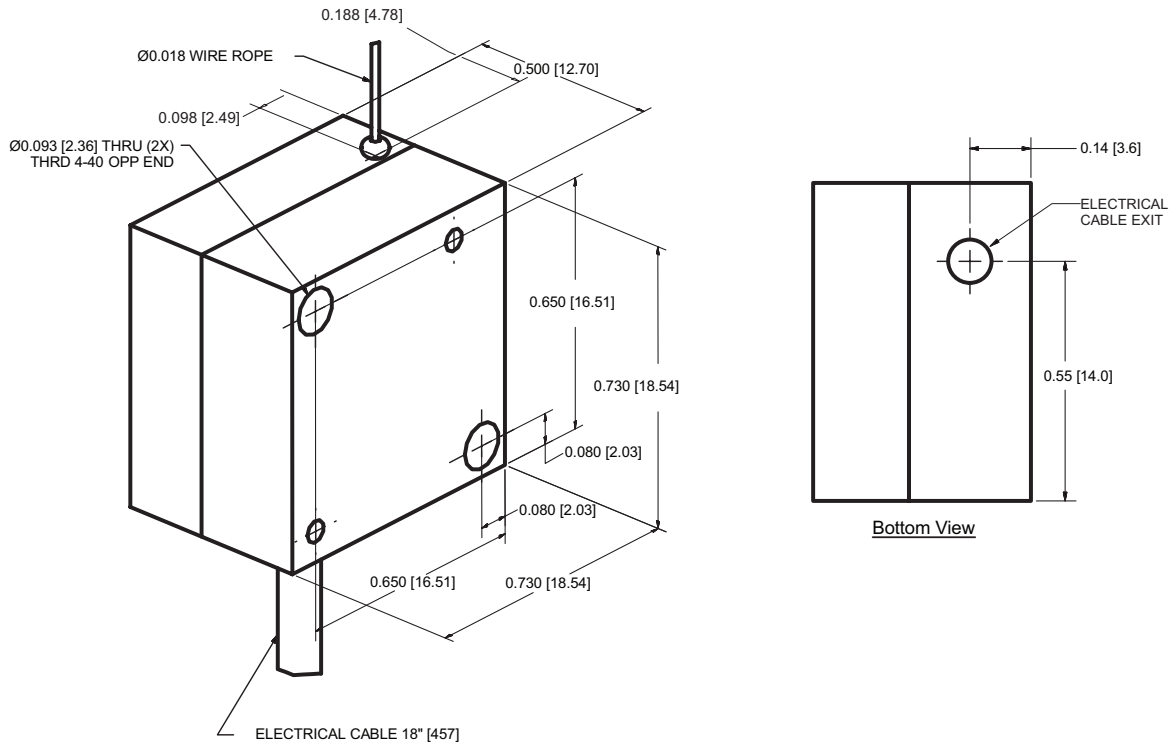
WIRE ROPE CONFIGURATION

- A Eye Fitting, See **FIG A**
- B 24" (600 mm) Leader Wire Rope with Fittings, See **FIG B**



DIMENSIONAL INFORMATION

ZX-HM Series



Dimensions in brackets are millimeters